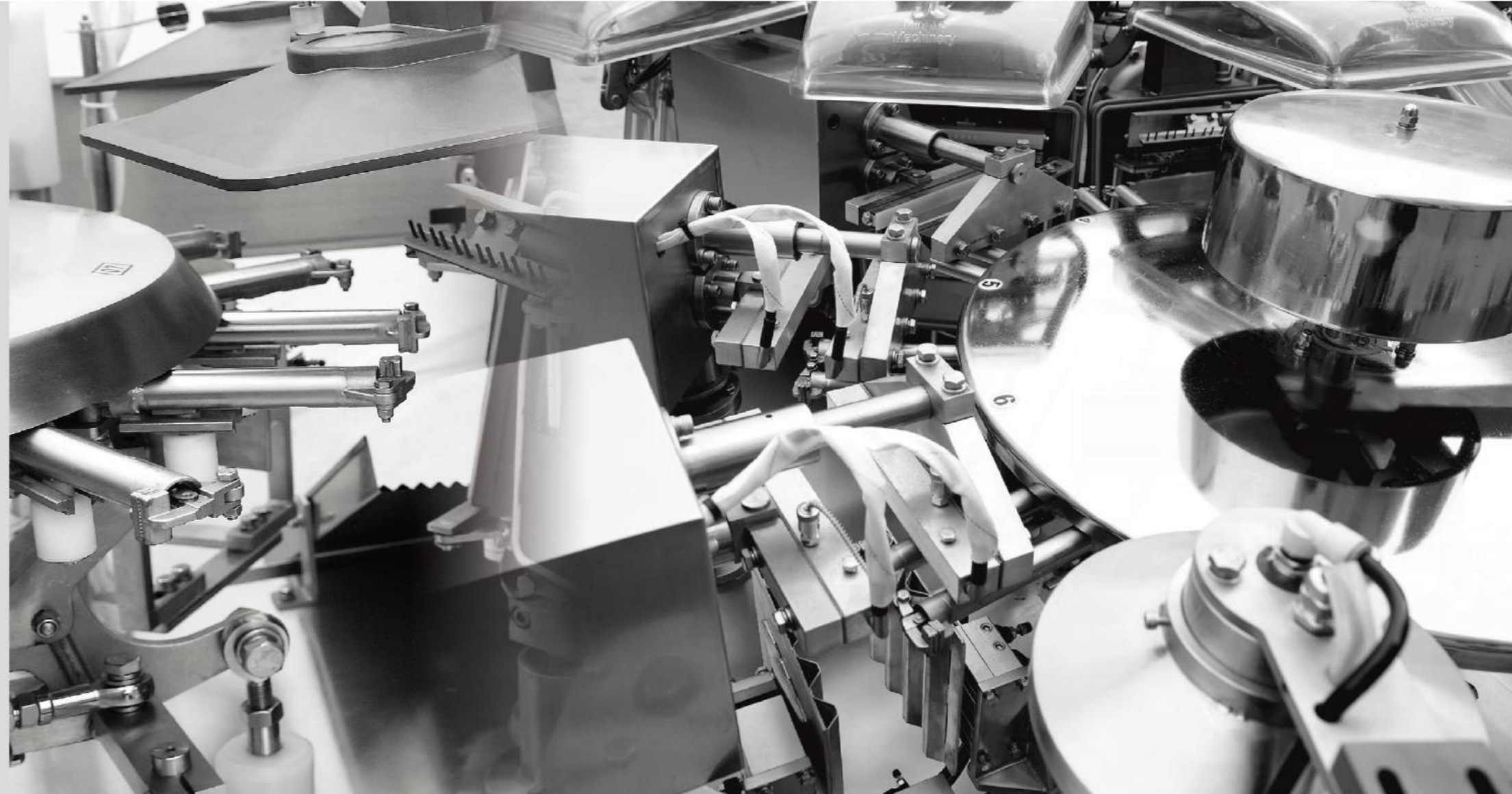




www.taiwanmingbo.com



名博機械
MINGBO MACHINERY

台灣名博機械有限公司
Taiwan Mingbo Machinery Co.,Ltd.

地址:高雄市大寮區過溪里華一街640號

Tel: 07-7888381 Fax: 07-7888387

Add: No.640, Hua 1st St., Daliao Dist., Kaohsiung City 831, Taiwan (R.O.C)

http://www.taiwanmingbo.com E-mail:taiwanmingbo@gmail.com

© 台灣名博 版權所有 2024版
產品不斷改良, 當外形與參數變更時, 均已實樣為準, 恕不另行通知。



名博機械

MINGBO MACHINERY

全自動真空包裝機



2011

“名博”成立，推出第一台醬腌菜螺桿計量機，開啟醬腌菜自動化生產新篇章。

2012

首台“給袋式包裝機”呈現。

2015

依靠雄厚的研發團隊，推出國內第一台“雙轉盤全自動真空機包裝機”
擊破國外同行市場壟斷局面。

2017

世界首台“環形螺桿組合秤”開發成功，解決黏性物料自動稱重。

同年8月，購置廠房，且臺灣成立分公司，產值突破 **1** 億。

2018

開發國內第一台“雙袋轉盤式高速真空包裝機”，
通過ISO9001體系認證和歐盟CE認證，出口突破150萬美元。

年產值突破 **1.5** 億。

2021

名博榮獲“國家高新技術企業”，
“2021年溫州市高成長型工業企業”。

總產值突破 **3** 億。

2022

廠區第三期廠房落成投入使用，生產車間面積超過 **4** 萬平方。

2024

“名博”未來可期，智能製造。

OUR PRODUCTS CAN BE SEEN EVERYWHERE

AND BENEFIT YOUR LIFE

我們的產品隨處可見，惠及您的生活

This Is The Charm Of Our Packing Machine

這就是我們給袋機的魅力所在

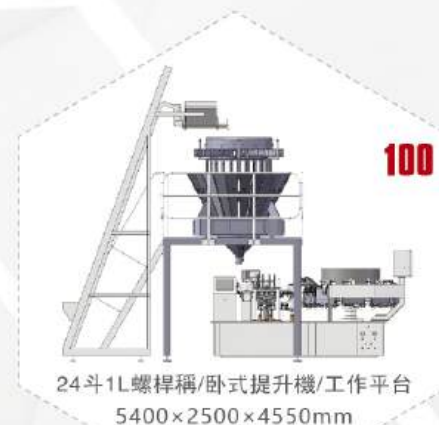
MB8ZK12S-100/MB8ZK11S-130

高速雙給袋式真空包裝機

High-speed Dual Bags Vacuum Packaging Machine



機組搭配



主要技術參數

The main technical parameters

型號 Model	MB8ZK12S-100	MB8ZK11S-130
包裝袋規格 Bag size	W:55-100mm L:70-180mm	W:65-130mm L:80-210mm
袋子類型 Bag type	鋁箔袋、尼龍袋、紙袋等四邊封復合袋 Aluminum foil bags, nylon bags, paper bags and other four-side sealed composite bags	
充填範圍 Filling range	10-60g	10-150g
包裝速度 Packing speed	90-160包/分鐘 (bags/min)	90-140包/分鐘 (bags/min)
主機重量 Host weight	3800kg	4000kg
主機功率 Host power	8KW (不含真空泵) without vacuum pump	
驅動電源 Drive power	三相五線 380V 60HZ 三相四線 220V 60HZ Three-phase five-wire 380V 60HZ Three-phase four-wire 220V 60HZ	
外形尺寸 Dimensions	3100×1950×1800mm	3200×2000×1840mm
耗氣量 Air consumption	≤0.6m ³ /min (壓縮空氣由用戶自行提供) compressed air is provided by the user	
冷水用水 Cooling water	冷卻水15°C-20°C, 3升/分鐘 Cooling water 15°C-20°C, 3L/min	

適用範圍
Scope of Application

醬醃菜、豆製品、肉製品等休閒食品
Pickled vegetables, soy products, meat products and other snack foods

可選計量和投料方式
Optional Metering And Feeding Methods

醬醃菜計量機、刮板式計量機、組合秤、手工投料器、醬菜灌裝機
Pickle metering machine, scraper metering machine, multi-head weigher, manual feeder, pickle filling machine

MB10ZK16-100G

高速給袋式真空包裝機

High-speed Rotary Vacuum Packaging Machine



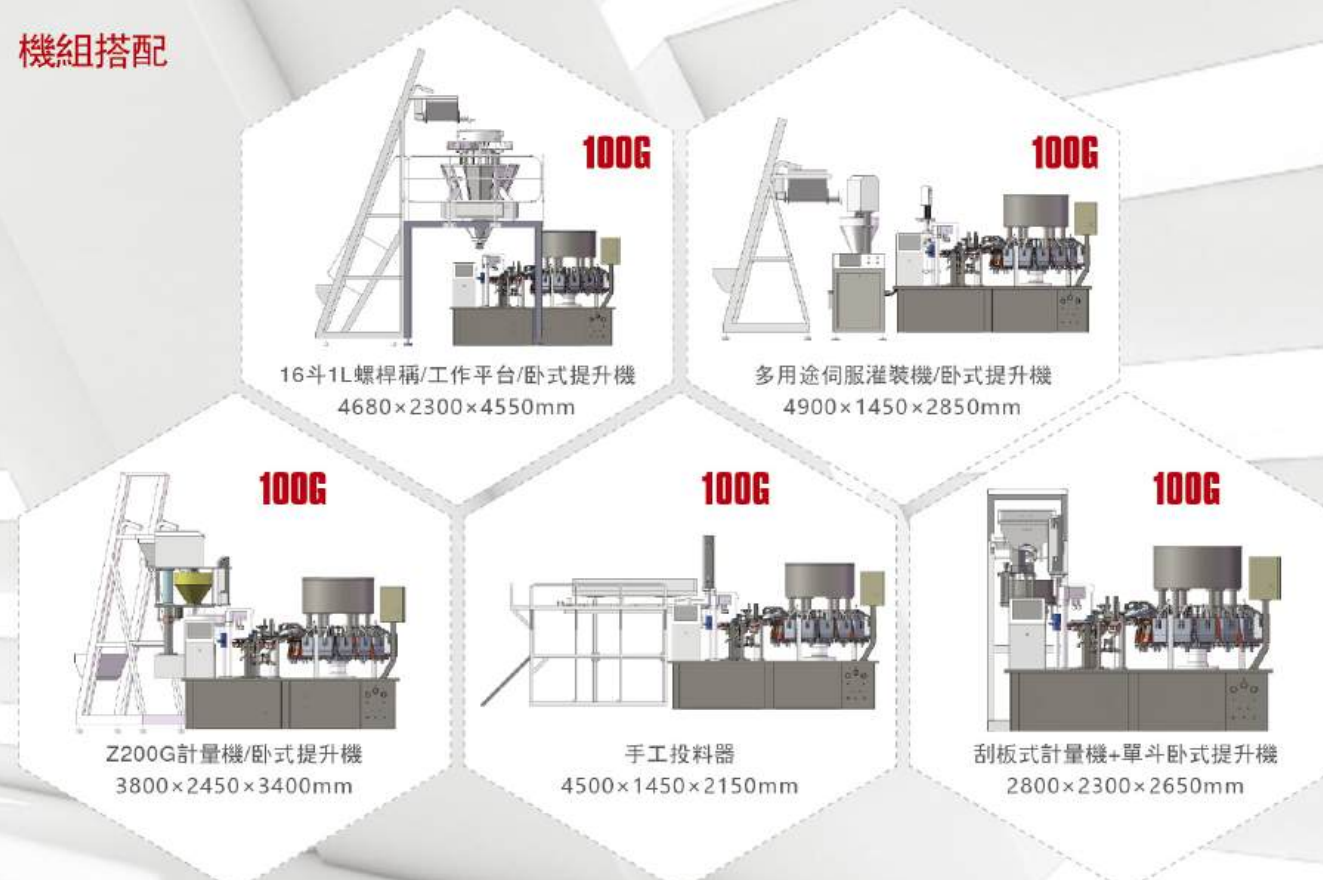
適用範圍
Scope of Application

醬醃菜、豆製品、肉製品等休閒食品
Pickled vegetables, soy products, meat products and other snack foods

可選計量和投料方式
Optional Metering And Feeding Methods

醬醃菜計量機、刮板式計量機、組合秤、手工投料器、醬菜灌裝機
Pickle metering machine, scraper metering machine, multi-head weigher, manual feeder, pickle filling machine

機組搭配



100G
16斗1L螺桿稱/工作平台/臥式提升機
4680×2300×4550mm

100G
多用途伺服灌裝機/臥式提升機
4900×1450×2850mm

100G
Z200G計量機/臥式提升機
3800×2450×3400mm

100G
手工投料器
4500×1450×2150mm

100G
刮板式計量機+單斗臥式提升機
2800×2300×2650mm

主要技術參數

The main technical parameters

型號 Model	MB10ZK16-100G	主機功率 Host power	6KW (不含真空泵) without vacuum pump
包裝袋規格 Bag size	W:55-100mm L:70-180mm	驅動電源 Drive power	三相五線 three-phase five-wire 380V 60HZ 三相四線 Three-phase four-wire 220V 60HZ
袋子類型 Bag type	鋁箔袋、尼龍袋、紙袋等四邊封復合袋 Aluminum foil bags, nylon bags, paper bags and other four-side sealed composite bags	外形尺寸 Dimensions	2600×1450×1900mm
充填範圍 Filling range	10-60g	耗氣量 Air consumption	≤0.5m ³ /min(壓縮空氣由用戶自行提供) compressed air is provided by the user
包裝速度 Packing speed	90-110包/分鐘 (bags/min)	冷水用水 Cooling water	冷卻水15°C-20°C、3升/分鐘 Cooling water 15°C-20°C, 3L/min
主機重量 Host weight	3000kg		

MB10ZK12-130G/160G

高速給袋式真空包裝機

High-speed Rotary Vacuum Packaging Machine

主要技術參數

The main technical parameters

型號 Model	MB10ZK12-130G	MB10ZK12-160G	袋子類型 Bag type	鋁箔袋、尼龍袋、紙袋等四邊封復合袋 Aluminum foil bags, nylon bags, paper bags and other four-side sealed composite bags
包裝袋規格 Bag size	W:65-130mm L:80-210mm	W:80-160mm L:80-230mm	主機功率 Host power	6KW (不含真空泵) without vacuum pump
充填範圍 Filling range	10-150g	20-300g	驅動電源 Drive power	三相五線 three-phase five-wire 380V 60HZ 三相四線 Three-phase four-wire 220V 60HZ
包裝速度 Packing speed	60-90包/分鐘	50-80包/分鐘	耗氣量 Air consumption	≤0.5m³/min (壓縮空氣由用戶自行提供) compressed air is provided by the user
主機重量 Host weight	3000kg	3200kg	冷水用水 Cooling water	冷卻水15°C-20°C, 3升/分鐘 Cooling water 15°C-20°C, 3L/min
外形尺寸 Dimensions	2620×1600×1600mm	2630×1700×1800mm		



適用範圍

Scope of Application

醬醃菜、豆製品、肉製品預製菜等

Pickled vegetables, soy products, meat products and other snack foods

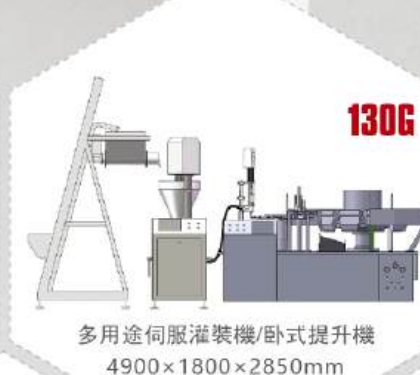
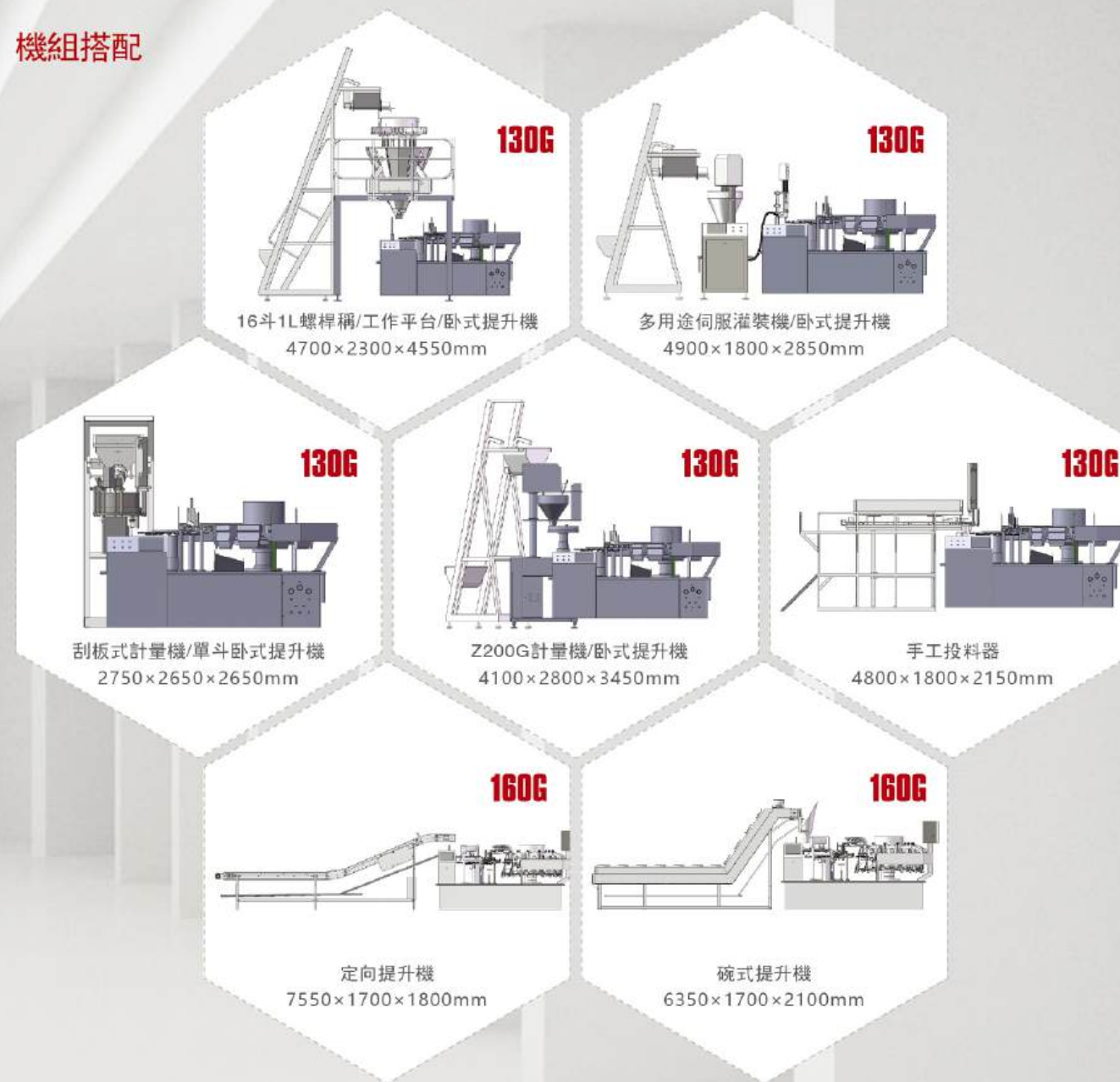
可選計量和投料方式

Optional Metering And Feeding Methods

醬醃菜計量機、刮板式計量機、組合秤、手工投料器、醬菜灌裝機、碗式提升機、定向提升機

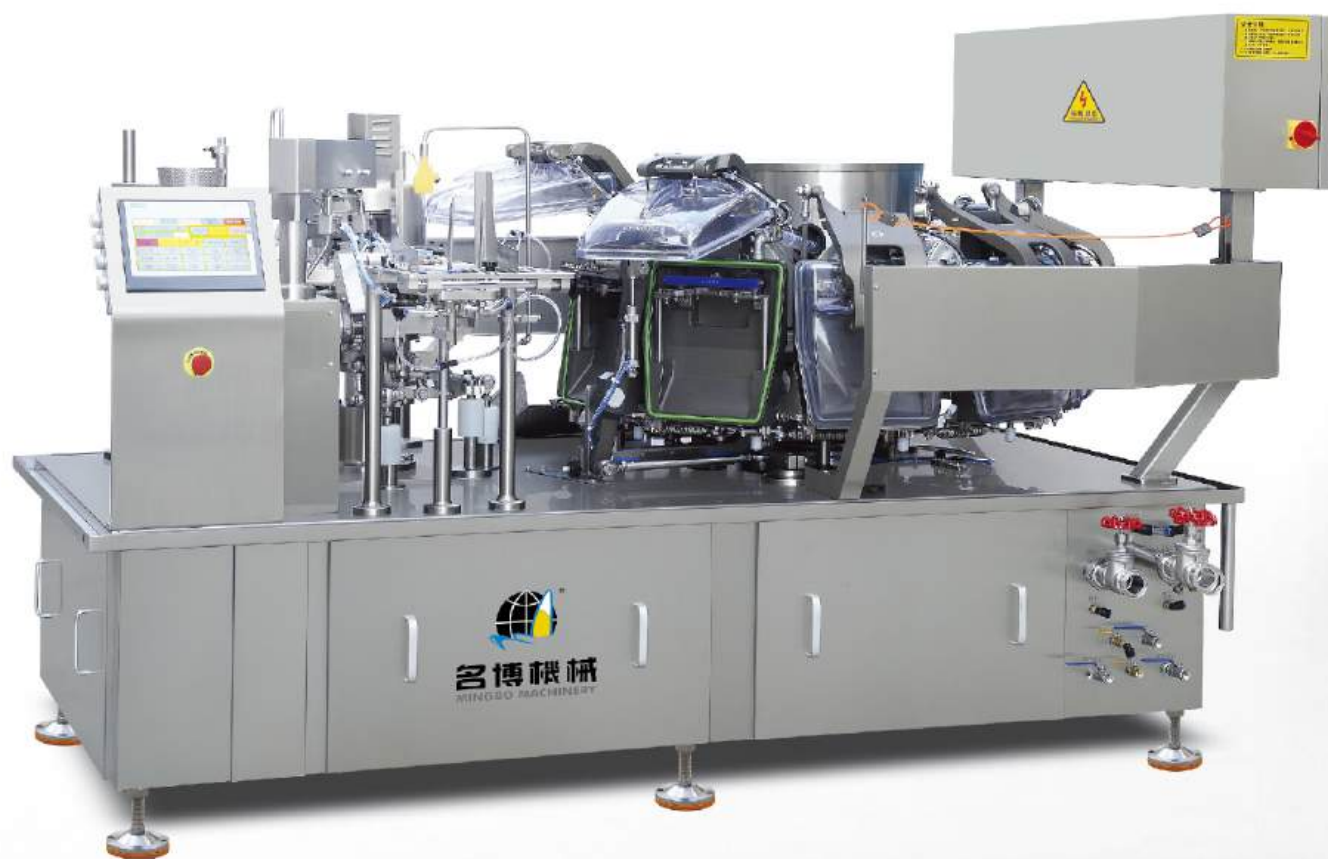
Pickle metering machine, scraper metering machine, multi-head weigher, manual feeder, pickle filling machine, bowl elevator, directional elevator

機組搭配



MB8ZK10-220/300

給袋式真空包裝機 Rotary Vacuum Packaging Machine



適用範圍
Scope of Application

醬醃菜、肉製品、生鮮、食材、預製菜等
pickled vegetables, meat products, ingredients, prepared dishes, etc.

可選計量和投料方式
Optional Metering And Feeding Methods

醬醃菜計量機、組合秤、手工投料器、醬菜灌裝機、碗式提升機、定向提升機
pickle metering machine, multi-head weigher, manual feeder, pickle filling machine, bowl elevator, directional elevator

機組搭配



主要技術參數 The main technical parameters

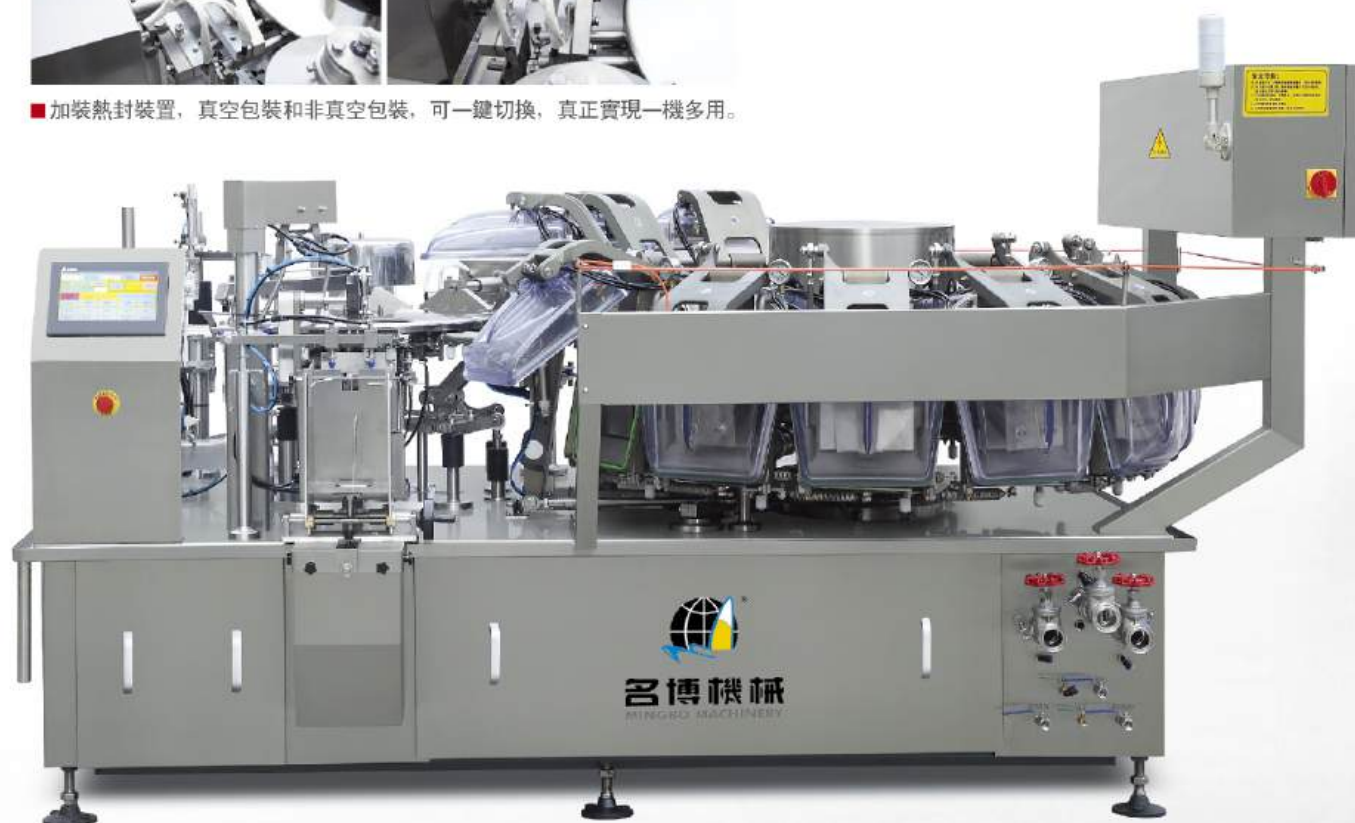
型號 Model	MB8ZK10-220	MB8ZK10-300
包裝袋規格 Bag size	W:100-220mm L:100-300mm	W:170-300mm L:200-400mm
袋子類型 Bag type	鋁箔袋、尼龍袋、紙袋等四邊封復合袋 Aluminum foil bags, nylon bags, paper bags and other four-side sealed composite bags	
充填範圍 Filling range	100-1500g	500-3000g
包裝速度 Packing speed	35-60包/分鐘 (bags/min)	15-35包/分鐘 (bags/min)
主機重量 Host weight	3000kg	3500kg
主機功率 Host power	7KW (不含真空泵) without vacuum pump	
驅動電源 Drive power	三相五線 380V 60HZ 三相四線 220V 60HZ Three-phase five-wire 380V 60HZ Three-phase four-wire 220V 60HZ	
外形尺寸 Dimensions	2820×1900×1850mm	3200×2530×1600mm
耗氣量 Air consumption	≤0.5m ³ /min (壓縮空氣由用戶自行提供) compressed air is provided by the user	
冷水用水 Cooling water	冷卻水15°C-20°C、3升/分鐘 Cooling water 15°C-20°C, 3L/min	

MB10ZK12-220MF

多功能給袋式包裝機 Multi-Functional Rotary Packaging Machine



■加裝熱封裝置，真空包裝和非真空包裝，可一鍵切換，真正實現一機多用。



適用範圍

Scope of Application

醬醃菜、肉製品、預製菜等食材的真空包裝以及堅果、蜜餞、膨化、調味品、醬料、日化等產品的灌裝封口。

Vacuum packaging of pickled vegetables, meat products, prepared dishes and other materials, as well as filling and sealing of nuts, preserves, puffed products, condiments, sauces, daily chemicals and other products.

可選計量和投料方式

Optional Metering And Feeding Methods

醬醃菜計量機、組合秤、手工投料器、液體/醬體灌裝機、碗式提升機、定向提升機等

pickle metering machine, multi-head weigher, manual feeder, liquid/paste filling machine, bowl elevator, directional elevator and so on.

機組搭配



主要技術參數

The main technical parameters

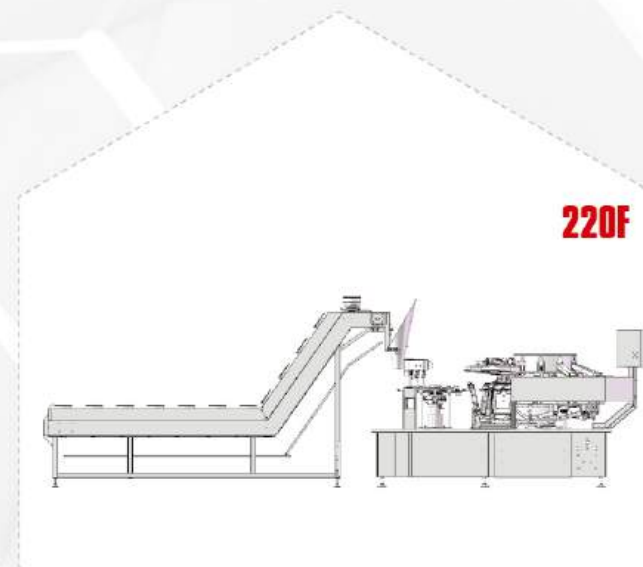
型號 Model	MB10ZK12-220MF
包裝袋規格 Bag size	W:100-220mm L:100-300mm
袋子類型 Bag type	鋁箔袋、尼龍袋、紙袋等四邊封復合袋 Aluminum foil bags, nylon bags, paper bags and other four-side sealed composite bags
充填範圍 Filling range	100-1000g
包裝速度 Packing speed	30-60包/分鐘 (bags/min)
主機重量 Host weight	3300kg
主機功率 Host power	7KW (不含真空泵) without vacuum pump
驅動電源 Drive power	三相五線 380V 60HZ 三相四線 220V 60HZ Three-phase five-wire 380V 60HZ Three-phase four-wire 220V 60HZ
外形尺寸 Dimensions	3120×2290×1800mm
耗氣量 Air consumption	≤0.5m ³ /min (壓縮空氣由用戶自行提供) compressed air is provided by the user
冷水用水 Cooling water	冷卻水15°C-20°C、3升/分鐘 Cooling water 15°C-20°C, 3L/min

MB8ZK10-220F

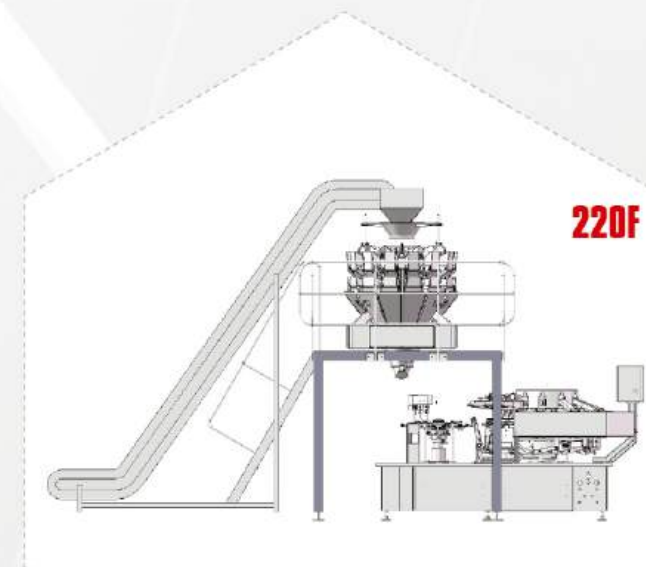
給袋式平鋪真空包裝機 Rotary Vacuum Packaging Machine



機組搭配



3L碗式提升機
6650×2100×2200mm



2.5L震動組合秤/大傾角提升機/工作平台
6600×2300×3850mm

主要技術參數

The main technical parameters

型號 Model	MB8ZK10-220F	主機功率 Host power	7KW (不含真空泵) without vacuum pump
包裝袋規格 Bag size	W:100-220mm L:100-300mm	驅動電源 Drive power	三相五線 three-phase five-wire 380V 60HZ 三相四線 Three-phase four-wire 220V 60HZ
袋子類型 Bag type	鋁箔袋、尼龍袋、紙袋等四邊封復合袋 Aluminum foil bags, nylon bags, paper bags and other four-side sealed composite bags	外形尺寸 Dimensions	3000×2180×1800mm
充填範圍 Filling range	100-1000g	耗氣量 Air consumption	≤0.5m ³ /min(壓縮空氣由用戶自行提供) compressed air is provided by the user
包裝速度 Packing speed	30-50包/分鐘(bags/min)	冷水用水 Cooling water	冷卻水15°C-20°C、3升/分鐘 Cooling water 15°C-20°C, 3L/min
主機重量 Host weight	3000kg		

適用範圍
Scope of Application

需要平鋪真空的產品
Products that need to be placed flat for vacuuming

可選計量和投料方式
Optional Metering And Feeding Methods

組合秤、碗式提升機
Mulit-head weigher and bowl elevator

MB8S-140G/140C

雙給袋式包裝機 Dual Dags Packing Machine

適用範圍
Scope of Application

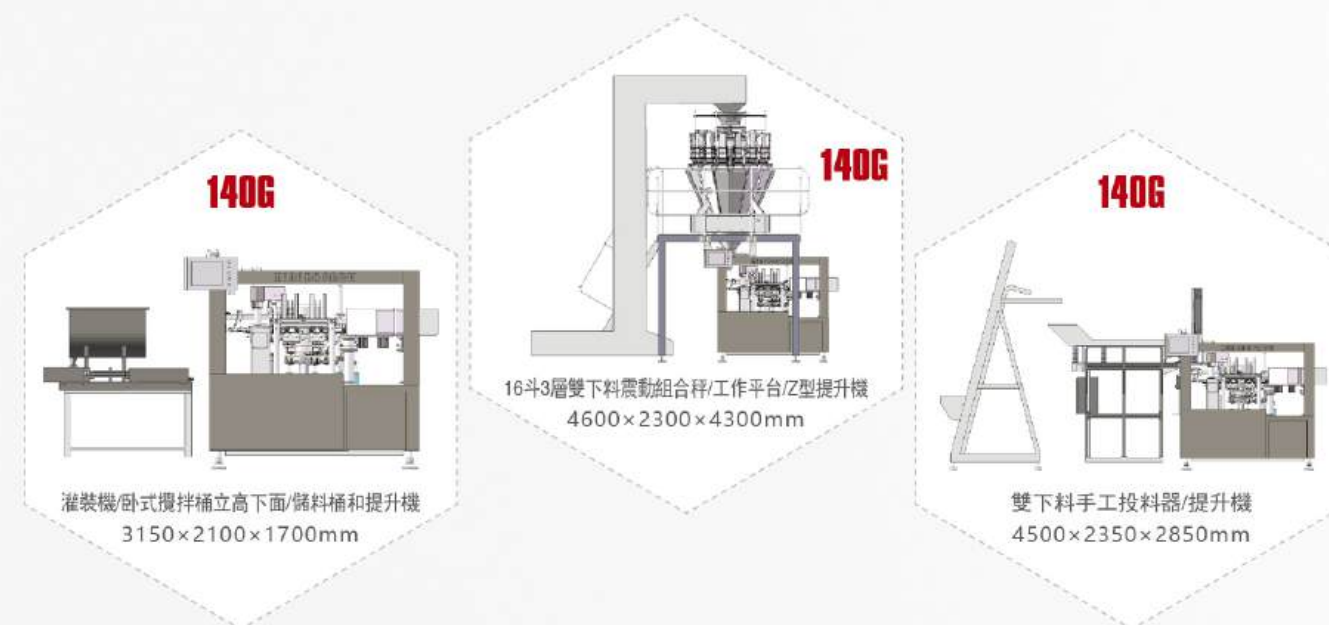
堅果、蜜餞、膨化、調味品、醬料、日化等產品
nuts, candied fruit, puffed, condiments, sauces, daily chemicals and other products

可選計量和投料方式
Optional Metering And Feeding Methods

組合秤、粉劑計量機、灌裝機、手工投料器
multi-head weigher, powder metering machine, filling machine, manual feeder



機組搭配



主要技術參數

The main technical parameters

型號 Model	MB8S-140G	MB8S-140C(水平上袋)
包裝袋規格 Bag size	W:70-140mm L:80-210mm	W:90-140mm L:80-210mm
袋子類型 Bag type	鋁箔袋、尼龍袋、紙袋等四邊封復合袋(適用於自立袋、拉鏈袋、異型袋等) Aluminum foil bags, nylon bags, paper bags and other four-side sealed composite bags(Suitable for doypack, zipper bags, special-shaped bags, etc.)	
充填範圍 Filling range	10-300g	10-300g
包裝速度 Packing speed	80-110包/分鐘 (bags/min)	70-90包/分鐘 (bags/min)
主機重量 Host weight	2000kg	2200kg
主機功率 Host power	4KW	
驅動電源 Drive power	三相五線 380V 60HZ 三相四線 220V 60HZ Three-phase five-wire 380V 60HZ Three-phase four-wire 220V 60HZ	
外形尺寸 Dimensions	1810×1970×1700mm	2880×2310×1710mm
耗氣量 Air consumption	≤0.6m ³ /min (壓縮空氣由用戶自行提供) compressed air is provided by the user	

MB8-220G/220E/300/300D

給袋式包裝機

Rotary Packaging Machine

適用範圍
Scope of Application

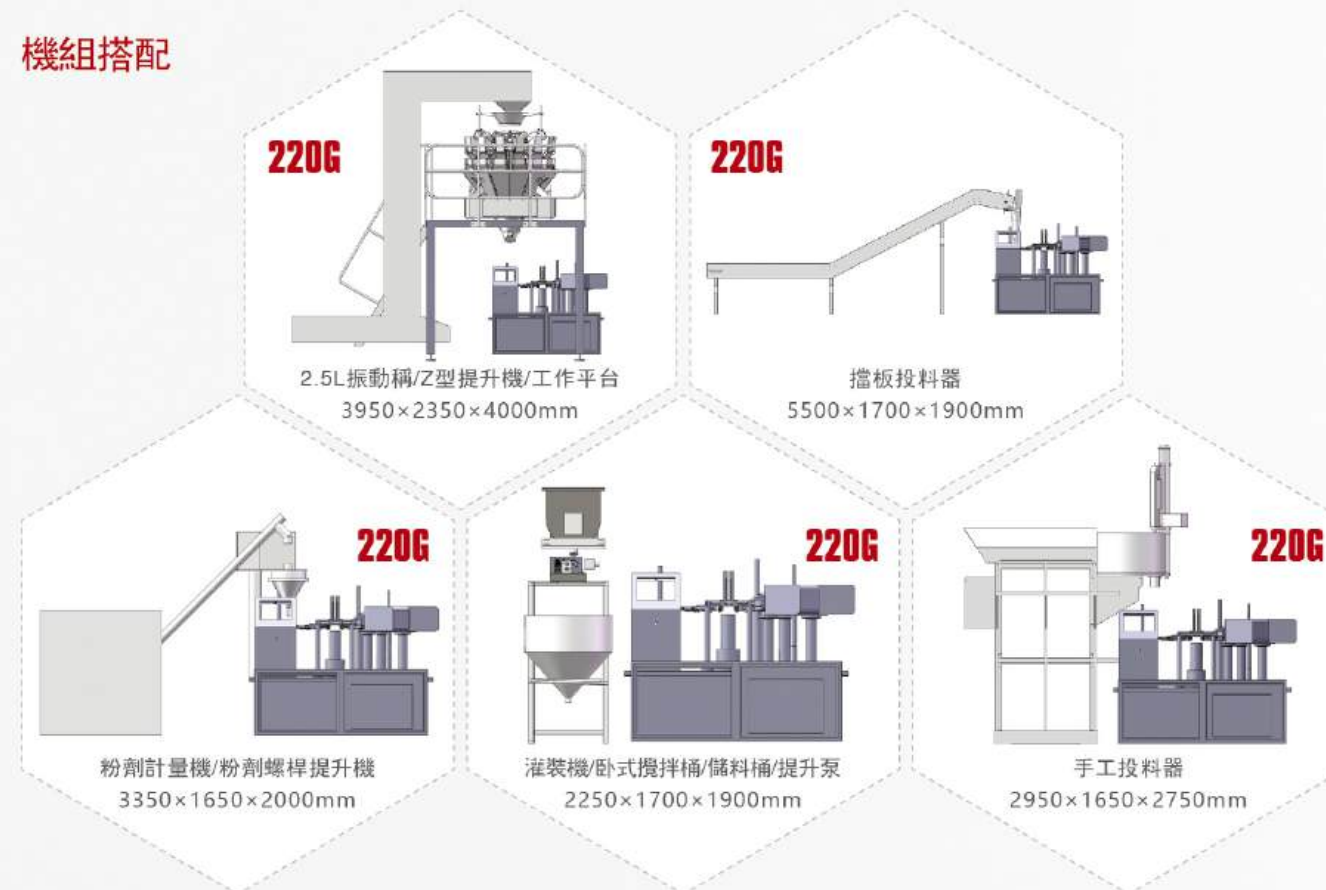
堅果、蜜餞、膨化、調味品、醬料、日化等產品
nuts, candied fruit, puffed, condiments, sauces, daily chemicals and other products

可選計量和投料方式
Optional Metering And Feeding Methods

組合秤、粉劑計量機、灌裝機、手工投料器、擋板投料器
multi-head weigher, powder metering machine, filling machine, manual feeder



機組搭配



主要技術參數

The main technical parameters

型號 Model	MB8-220G	MB8-220E	MB8-300	MB8-300D
包裝袋規格 Bag size	W:70-220mm L:100-300mm		W:170-300mm L:200-500mm	
袋子類型 Bag type	鋁箔袋、尼龍袋、紙袋等四邊封復合袋(適用於自立袋、拉鏈袋、異型袋等) Aluminum foil bags, nylon bags, paper bags and other four-side sealed composite bags(Suitable for doypack, zipper bags, special-shaped bags, etc.)			
充填範圍 Filling range	10-1000g		500-3000g	
包裝速度 Packing speed	35-70包/分鐘 (bags/min)	30-45包/分鐘 (bags/min)	15-40包/分鐘 (bags/min)	15-35包/分鐘 (bags/min)
主機重量 Host weight	1500kg		1800kg	
主機功率 Host power	4KW			
驅動電源 Drive power	三相五線 380V 60HZ Three-phase five-wire 380V 60HZ		三相四線 220V 60HZ Three-phase four-wire 220V 60HZ	
外形尺寸 Dimensions	1850×1550×1580	2650×1560×1710	2200×1900×1600	2950×1700×1810
耗氣量 Air consumption	≤0.5m ³ /min (壓縮空氣由用戶自行提供) compressed air is provided by the user			

MB8-220SP

平推給袋式包裝機

Horizontal Push Rotary Packaging Machine



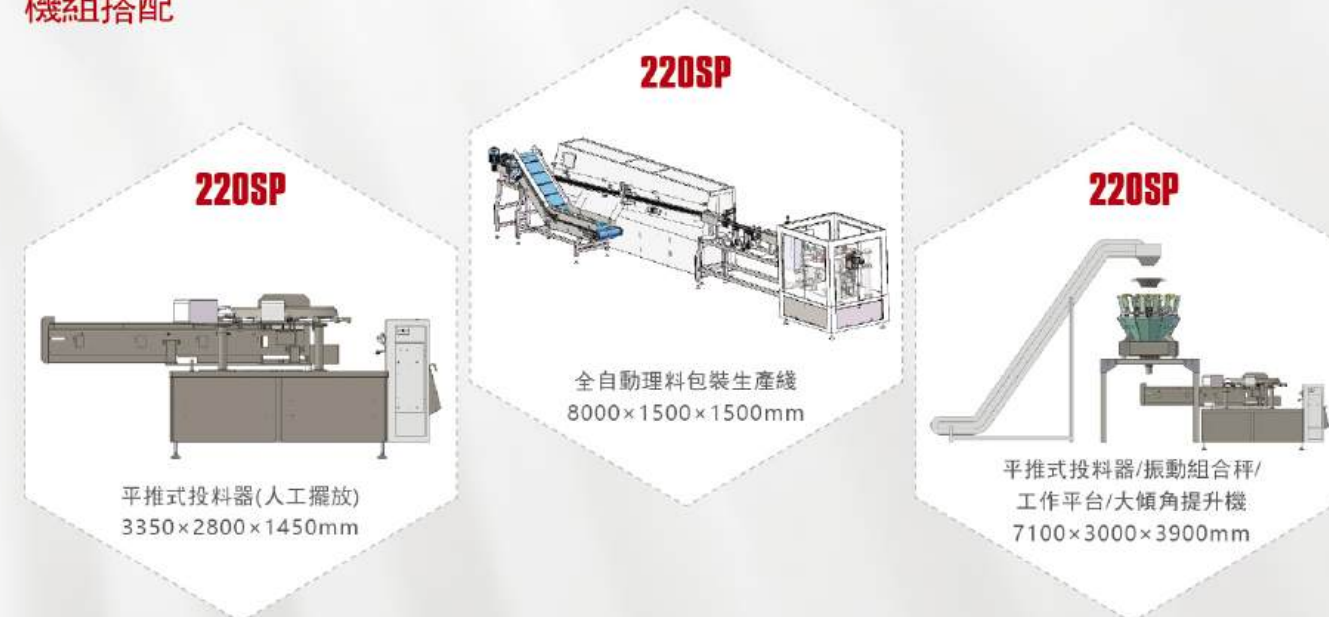
適用範圍
Scope of Application

凍品、炒貨干果、袋中袋等產品
Frozen products, roasted seeds and nuts, bags in bags and other products

可選計量和投料方式
Optional Metering And Feeding Methods

平推式投料器、理料機
Horizontal push feeder

機組搭配



主要技術參數 The main technical parameters

型號 Model	MB8-220SP
包裝袋規格 Bag size	W:160-220mm L:180-300mm
袋子類型 Bag type	鋁箔袋、尼龍袋、紙袋等四邊封復合袋 Aluminum foil bags, nylon bags, paper bags and other four-side sealed composite bags
充填範圍 Filling range	10-1000g
包裝速度 Packing speed	20-45包/分鐘 (bags/min)
主機重量 Host weight	1800Kg
主機功率 Host power	5KW
驅動電源 Drive power	三相五線 380V 60HZ 三相四線 220V 60HZ Three-phase five-wire 380V 60HZ Three-phase four-wire 220V 60HZ
外形尺寸 Dimensions	3350 × 2800 × 1450mm
耗氣量 Air consumption	≤0.5m ³ /min(壓縮空氣由用戶自行提供 compressed air is provided by the user)

MB8-220M/160M

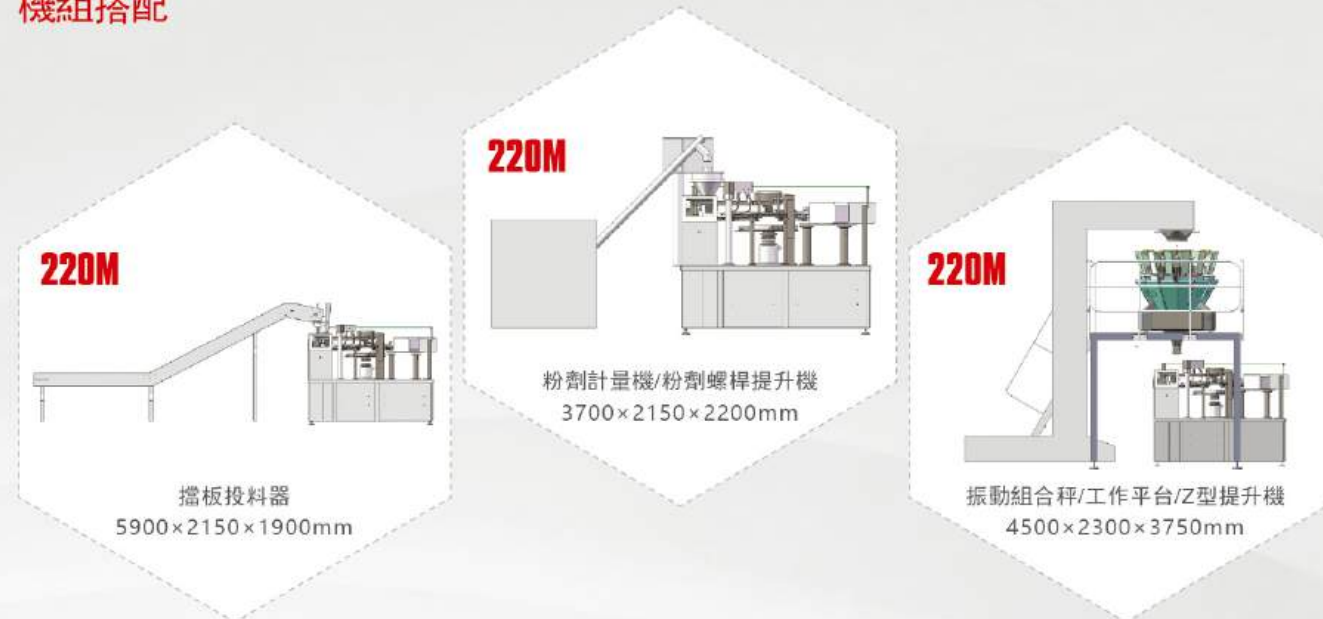
給袋式包裝機 (適用於插角袋)

Rotary Packaging Machine (suitable for gusseted bags)

適用範圍 Scope of Application	寵物食品、炒貨乾果、袋中袋等產品 Pet food, roasted seeds and nuts, bags in bags and other products
可選計量和投料方式 Optional Metering And Feeding Methods	組合秤、擋板投料器、粉劑計量機 Mult-head weigher, baffle feeder, powder auger filler



機組搭配



主要技術參數

The main technical parameters

型號 Model	MB8-220M	MB8-160M
包裝袋規格 Bag size	W:160-220mm L:180-300mm	W:160-220mm L:160-300mm
袋子類型 Bag type	鋁箔袋、尼龍袋、紙袋等復合袋(適用於插角袋, M型袋) Aluminum foil bags, nylon bags, paper bags and other four-side sealed composite bags (Suitable for gusset bags, M bags)	
充填範圍 Filling range	200-2000g	100-1000g
包裝速度 Packing speed	20-45包/分鐘 (bags/min)	20-40包/分鐘 (bags/min)
主機重量 Host weight	1600Kg	1500Kg
主機功率 Host power	4KW	
驅動電源 Drive power	三相五線 380V 60HZ 三相四線 220V 60HZ Three-phase five-wire 380V 60HZ Three-phase four-wire 220V 60HZ	
外形尺寸 Dimensions	1850x1900x1550mm	1800x1650x1600mm
耗氣量 Air consumption	≤0.5m ³ /min(壓縮空氣由用戶自行提供 compressed air is provided by the user)	

MBGD8-180

計量包裝一體機

Weighing And Packaging Machine (All-in-one)



選配 / Optional configuration



粉劑計量機
Powder Metering Machine



液體醬體灌裝機
Liquid/Paste Filling Machine

糖果、麥片、巧克力、餅、糕點、膨化食品以及各類寵物食品。
果汁、番茄醬、花生醬、辣椒醬、洗手液、洗滌劑等。
奶粉、咖啡、調味品、添加劑等。
炒貨干果、休閒食品等。

適用範圍

Scope of Application

Candy, cereal, chocolate, cakes, pastries, puffed food and all kinds of pet food.
Juice, ketchup, peanut butter, chili sauce, hand sanitizer, detergent, etc.
Milk powder, coffee, condiments, additives, etc.
Roasted nuts, dried fruits, snack foods, etc.

產品性能優勢 / Product performance advantages:

- 自動稱重、自動包裝一體，包裝自動化更簡單；
- 高性價比
- 全機械一體化控制，免維護（自動潤滑系統）；
- 速度快、效率高，包裝速度可達80包/分；
- 緊湊結構設計，節省占用空間，適用廠房高度 <3米；
- 穩定性佳，設備落差高度小，降低產品破損率；
- 安裝快捷，操作更簡單；
- 適用不同產品包裝需求，靈活性高。
- Automatic weighing and automatic packaging are integrated, making packaging automation simpler;
- High cost performance;
- Fully mechanical integrated control, maintenance-free (automatic lubrication system);
- Fast and efficient, the packaging speed can reach 80 packages/min;
- Compact structure design, saving space, applicable to factory height <3 meters;
- Good stability, small equipment height difference, reducing product damage rate;
- Fast installation and easier operation;
- It is suitable for different product packaging needs and has high flexibility.



主要技術參數

The main technical parameters

型號 Model	MBGD8-180
袋子類型 Bag Type	鋁箔、尼龍、紙袋等四邊封復合袋
包裝袋規格 Bags Specifications	W:80-200mm L:100-300mm
充填範圍 Filling range	15-1000g
包裝速度 Packing speed	30-80包/分 bags/min
主機重量 Weight	1300kg
主機功率 Host power	≤3.5KW
驅動電源 Drive power	220V 60HZ
耗氣量 Air consumption	0.5m ³ /min
外形尺寸 Dimensions	1700×1100×2600mm (主機尺寸1300×1050×1750mm)

MBSH1813

全自動真空氣調盒/碗裝機

Fully Automatic Vacuum Air Conditioning Box/bowl Packaging Machine



適用範圍

Scope of Application

熟食滷製品、肉類生鮮品、米糕、醬腌菜、奶酪、果蔬等保鮮包裝。

堅果、乾果、蜜餞等乾貨類灌裝封口。

醬料、飲料等液體灌裝封口。

Preservation packaging of cooked food, braised food, fresh meat, rice cakes, pickles, cheese, fruits and vegetables, etc.

Filling and sealing of nuts, dried fruits, candied fruits and other dry goods.

Filling and sealing of liquids such as sauces and beverages.

概述 / Application:

- 機械連動運行保護;
 - 模塊化設計, 能便捷的進行模具更換;
 - 人機界面智能控制系統, 配方參數切換便利;
 - 選配儲杯供杯機構;
 - 真空氣調和灌裝封口可自由選配使用;
 - 選配落蓋扣蓋機構;
 - 食品級材料、衛生清潔、維護方便;
- Mechanical linkage operation protection;
 - Modular design allows for easy mold replacement;
 - Human-machine interface intelligent control system, convenient switching of formula parameters;
 - Optional cup storage and cup supply mechanism;
 - Vacuum air conditioning and filling sealing can be optionally used;
 - Optional lid-dropping mechanism;
 - Food grade materials, hygienic and clean, easy to maintain;



主要技術參數

The main technical parameters

型號 Model	MBSH1813型
包裝盒尺寸 Packaging box size	托盒尺寸:長180-220mm 寬130-140mm 深度30-60mm(模具可非標定製)
包裝材料 Packing material	塑料盒、紙盒、鋁盒等多種材質 形狀: 方盒、托盒
卷材尺寸 Coil size	卷材直徑<350MM 卷材卷芯75MM
卷材材質 Coil material	PP/PE/PET/鋁箔復合膜等
包裝速度 Packaging speed	35-60盒/分鐘
真空泵排量 Vacuum pump displacement	100型
氣體置換率/配氣精度 Gas replacement rate/gas distribution accuracy	≥99.5% ≤±1%
電源/主機功率 Power supply/host power	三相五線 380V 60HZ 三相四線 220V 60HZ Three-phase five-wire 380V 60HZ Three-phase four-wire 220V 60HZ
工作氣壓/耗氣量 Working pressure/air consumption	0.6-0.8MPa ≤0.5m ³ /min
機器重量 Machine weight	3000kg
機器尺寸 Machine dimensions	2550×1800×1750mm

MBTD-200

平推套袋機

Horizontal Push Bag Packaging Machine

適用範圍

Scope of Application

採用預製袋，全自動取袋、開袋、推料、推包、封口。
面包、吐司、年糕等多種、多系列可入袋式物體的包裝。
獨立包裝或二次包裝，已包裝食品中袋包裝。

Using premade bags, fully automatic bag taking, bag opening, material pushing, bag pushing, and sealing.

Packaging of multiple series of bag-type objects such as bread, toast, rice cakes, etc.
Independent packaging or secondary packaging, packaged food in bags.



概述 / Application:

- 採用伺服控制系統，人機界面觸摸屏操作系統，使用方便。
- 自動理料輸送，連接自動生產線，提高包裝生產力。
- 光電眼自動檢測伺服跟蹤，袋位有偏差時不開袋，節約包裝材料。
- 自動化程度高，實現智能化、數字化、信息化管理。
- 專業性強，生產效率高，故障率低。

- It adopts servo control system and human-machine interface touch screen operating system, which is easy to use.
- Automatic material sorting and conveying, connected to automatic production lines, improve packaging productivity.
- Photoelectric eye automatic detection and servo tracking, the bag will not be opened when there is a deviation in the bag position, saving packaging materials.
- High degree of automation, realizing intelligent, digital and information-based management.
- Strong professionalism, high production efficiency and low failure rate.



主要技術參數

The main technical parameters

型號 Model	MBTD-200
速度 Speed	20-40包/分 bags/min
成袋尺寸 Packaging size	W:150-300mm L:70-150mm H:40-90mm
總功率 Power	8KW
耗氣量 Air consumption	600L/min
主機重量 Weight	500kg
外形尺寸 Dimensions	2000×970×1310mm
驅動電源 Drive power	220V 60HZ
包裝材料 Packing material	OPP/CPP、PT/PE、KOP/CPP鍍鋁膜、鋁膜

HCXG-ZK88A

玻璃瓶半自動真空旋蓋機
Semi Automatic Vacuum Capping achine



主要技術參數

The main technical parameters

型號 Model	HCXG-ZK88A	適用瓶徑 Bottle diameter	φ38-φ100mm
使用氣壓 Air pressure	0.5MPa	主機重量 Weight	200KG
旋蓋扭力 Capping torsion	5-25kg.cm	主機功率 Host power	1.1KW
最大真空度 maximum vacuum	-80KPa	驅動電源 Drive power	三相五線 380V 60HZ / 220V 60HZ Three-phase five-wire 380V 60HZ / 220V 60HZ
加蓋速度 Capping speed	1200瓶/小時 bottles/h	外形尺寸 Dimensions	750×700×1400mm
適用瓶高 Bottle height	50-170mm	耗氣量 Air consumption	0.3m³/min

TWB Series

行星炒鍋
Heated Cooking Mixer



主要技術參數

The main technical parameters

瓦斯行星炒鍋 GAS HEATED COOKING MIXER

型號 Model	容量(mm) Capacity	內徑(mm) Internal diameter	外徑(mm) External diameter	深度(mm) Depth	總功率(KW) Total power	外形尺寸(mm) Dimensions
TWBWS-200	200L	900	1000	450	3.7	1900×1430×1600
TWBWS-300	300L	1000	1100	500	3.7	2000×1530×1750
TWBWS-400	400L	1100	1200	550	3.7	2100×1630×1800
TWBWS-500	500L	1200	1300	600	3.7/4.5/5.5	2200×1750×1900

主要技術參數

The main technical parameters

蒸汽行星炒鍋 STEAM HEATED COOKING MIXER

型號 Model	容量(mm) Capacity	內徑(mm) Internal diameter	外徑(mm) External diameter	深度(mm) Depth	總功率(KW) Total power	外形尺寸(mm) Dimensions
TWBZQ-200	200L	900	1000	450	3.7	1900×1430×1600
TWBZQ-300	300L	1000	1100	500	3.7	2000×1530×1750
TWBZQ-400	400L	1100	1200	550	3.7	2100×1630×1800
TWBZQ-500	500L	1200	1300	600	3.7/4.5/5.5	2200×1750×1900

定量及投料設備

Metering And Feeding Equipment

醬醃菜計量機

Pickle Measuring Machine

性能特點
Features 體積計量，計量精度高，適用各類醬醃菜及黏性較強的物料
Volume measurement, high measurement accuracy, suitable for all kinds of pickles and sticky materials.

規格型號 Model	MB.Z220G	MB.Z350	MB.Z1000
計量範圍 Measuring range	8-220g	50-350g	300-1000g
運行速度 Speed	50-90次/分鐘	40-70次/分鐘	25-40次/分鐘



刮板式計量機

Scraper Metering Machine

性能特點
Features 適用於小克數，有一定粘性的醬醃菜、肉製品、肉製品自動計量，克重越小計量更精準。
It is suitable for automatic measurement of pickles, meat products and meat products with small grams and certain viscosity. The smaller the weight, the more accurate the measurement.

規格型號 Model	MB.YPJY
計量範圍 Measuring range	8-40g
運行速度 Speed	60-95次/分鐘



多用途伺服灌裝機

Multipurpose Servo Filling Machine

性能特點
Features 適用各類醬醃菜、調理包、醬料等黏性較強流動性較好的物料。伺服電機控制體積計量，計量精度高。
suitable for all kinds of pickles, cooking bags, sauces and other materials with strong viscosity and good fluidity. Servo motor controls volume measurement, high measurement accuracy,

規格型號 Model	LG.50W	LG.70W	LG.100
計量範圍 Measuring range	15-250g	100-500g	300-1000g
運行速度 Speed	40-90次/分鐘	35-65次/分鐘	25-40次/分鐘



壓縮盤

Compression Plate

性能特點
Features 適用於袋子較窄物料較長的產品，對物料破壞性小，極大的減少了袋口污染的概率。
It is suitable for products with narrow bags and long materials. It is less destructive to materials and greatly reduces the probability of bag mouth pollution.

規格型號 Model	MB.JYP
計量範圍 Measuring range	10-100g
運行速度 Speed	60-80次/分鐘



手工投料器

Manual Feeder

性能特點
Features 適用於單個或者多個物料投料，尺寸按需定製。
It is suitable for single or multiple material feeding, and the size can be customized on demand.

規格型號 Model	M8.SG65	M8.SG85	M8.SG110
運行速度 Speed	50-90次/分鐘	40-70次/分鐘	25-40次/分鐘



粉劑計量機

Powder Metering Machine

性能特點
Features 適用於粉末、小顆粒自動計量，採用伺服電機驅動螺桿，不易磨損、定位準確、轉速可設定、性能穩定。
suitable for automatic measurement of powder and small particles, using servo motor to drive the screw, not easy to wear, accurate positioning, adjustable speed, stable performance

計量範圍 Measuring range	15-1000g
運行速度 Speed	25-45次/分鐘



液體/膏體灌裝機

Liquid/Paste Filling Machine

性能特點
Features 適用於醬料湯汁、日化等產品自動定量；食品級軟管，與產品接觸的部件採用316L不銹鋼。
It is suitable for automatic quantification of sauces, soups, daily chemicals and other products; food-grade hoses, and parts in contact with products are made of 316L stainless steel.

規格型號 Model	氣動 Pneumatic	伺服電機 Servo motor
灌裝範圍 Filling range	10-100g, 25-250g, 50-500g, 100-1000g, 150-1500g, 250-2500g	
運行速度 Speed	20-60次/分鐘	



碗式提升機

Bowl Elevator

性能特點
Features 適用於預製菜、醬醃菜、生鮮食材等一些不易自動計量的產品，適用範圍廣，易清洗。
It is suitable for some products that are not easy to be automatically measured, such as prepared dishes, pickled vegetables, and fresh ingredients. It has a wide range of applications and is easy to clean.

規格型號 Model	1L	3L	5L
計量範圍 Filling Range	≤800g	≤2500g	≤4000g
運行速度 Speed	35-55次/分鐘	25-45次/分鐘	15-35次/分鐘



定向提升機

Directional Elevator

性能特點
Features 適用於預製菜、醬醃菜、生鮮食材等一些不易自動計量的產品，適用範圍廣，易清洗。
It is suitable for some products that are not easy to be automatically measured, such as prepared dishes, pickled vegetables, and fresh ingredients. It has a wide range of applications and is easy to clean.

規格型號 Model	可根據產品定製 Can be customized according to the product
計量範圍 Filling Range	≤1000g
運行速度 Speed	25-45次/分鐘



螺桿組合秤 Screw Multi-head Weigher

性能特點
Features

適用於醬醃菜、預製菜、休閒食品、肉製品等帶有黏性較強和含水量較多的物料，IP65防護等級，不銹鋼稱重模組，67°下料槽使物料下料更順暢，可選裝排水裝置，含水量高的物料稱重一樣精準

suitable for pickled vegetables, prepared vegetables, snack foods, meat products and other materials with strong viscosity and high water content, IP65 protection level, stainless steel weighing module, 67°feeding chute for material feeding Smoother, optional drainage device, weighing materials with high water content is as accurate.

規格型號
Model

16斗1升雙螺桿 16斗3升雙螺桿 16斗3升單螺桿 24斗1升雙螺桿

計量範圍
Measuring range

15-250g 100-1500g 150-2000g 15-100g

運行速度
Speed

15-80次/分鐘 20-40次/分鐘 20-40次/分鐘 80-120次/分鐘



振動組合秤 Vibration Multi-head Weigher

性能特點
Features

適用於醬醃菜、預製菜、休閒食品、生鮮速食等顆粒狀、片狀、條狀、圓狀的物料進行定量，計量精準、適用範圍廣。

It is suitable for quantification of granular, flake, strip and round materials such as pickled vegetables, prepared dishes, snack foods, fresh and instant food, etc., with accurate measurement and wide application range.

規格型號
Model

14斗2.5升 14斗5升

計量範圍
Measuring range

10-1500g 100-3000g

運行速度
Speed

25-65次/分鐘 15-40次/分鐘



斗式提升機 Hopper Elevator

性能特點
Features

適用於黏性較強和含水量較多的物料，採用料斗提升上料方式，儲存斗臥式螺桿出料，故障率低，易清潔。

It is suitable for materials with strong viscosity and high water content. The hopper is used to lift the material, and the storage hopper is discharged by the horizontal screw. The failure rate is low and it is easy to clean.

規格型號
Model

按需定製 Customized



Z型提升機 Z Bucket Elevator

性能特點
Features

適用於輸送小塊狀、粒狀及粉末狀等非黏性物料，具有輸送量大，提升高度高，運行平穩可靠，壽命長等優點。

It is suitable for conveying non-viscous materials such as small blocks, granules and powders. It has the advantages of large conveying capacity, high lifting height, stable and reliable operation, and long service life.

規格型號
Model

按需定製 Customized

大傾角提升機 Slope Elevator

性能特點
Features

適用於輸送小塊狀、粒狀等物料，具有輸送量大，運行平穩可靠，壽命長等優點。

It is suitable for conveying small lumps, granular materials, etc. It has the advantages of large conveying capacity, stable and reliable operation, and long service life.

規格型號
Model

按需定製 Customized



粉劑螺桿提升機

Powder Screw Elevator

性能特點
Features

適用於各類粉狀、粒狀等物料的提升，具有上料快速、物料殘留少等優點。

It is suitable for lifting various powdery and granular materials, and has the advantages of fast feeding and less material residue.

規格型號
Model

按需定製 Customized



工作平台

Work Platform

性能特點
Features

主要用於承重組合秤，配套包裝機以及相關的設備，304L不銹鋼製成，樓梯和面板採用防滑板面。

Mainly used for load-bearing combination scales, supporting packaging machines and related equipment, made of 304L stainless steel, stairs and panels are made of non-slip surfaces.

規格型號
Model

按需定製 Customized



激光噴碼機

Laser Printer

性能特點
Features

適用於包裝食品、藥品、化妝品等包材的生產日期標識，具有在線噴印、無耗材、能耗低等優點。

It is suitable for marking the production date of packaging materials such as packaged food, medicine, and cosmetics. It has the advantages of online coding, no consumables, and low energy consumption.

光源
light source

光纖 / Fiber CO2 紫外 / UV



電腦噴印機

Inkjet Printer

性能特點
Features

適用於包裝食品、藥品、化妝品等包材的生產日期標識，適用範圍廣，一般包材材質都能適用。

It is suitable for marking the production date of packaging materials such as packaged food, medicine, and cosmetics. It has a wide range of applications and can be applied to general packaging.



重量選別秤

Weight Sorting Scale

性能特點
Features

適用於檢測單個產品重量是否合格，廣泛應用於電子、製藥、食品、飲料、保健品、日化、輕工、農副產等多行業。

It is suitable for testing whether the weight of a single product is qualified, and is widely used in many industries such as electronics, pharmaceuticals, food, beverages, health care products, daily chemicals, light industry, and agricultural and sideline products.



金屬檢測機

Metal Detector

性能特點
Features

廣泛應用於食品、藥品、化妝品等金屬異物的檢測。

Widely used in the detection of metal foreign objects such as food, medicine, cosmetics, etc.

